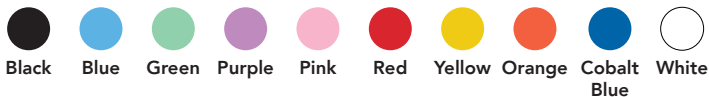


# NT1 *Signature Series*

STUDIO CONDENSER MICROPHONE

The NT1 Signature Series is the latest edition of the iconic RØDE NT1 studio condenser microphone. With the same warm, silky character that has made the NT1 the go-to microphone for millions of creators, the NT1 Signature Series delivers classic studio sound for a wide range of applications, from vocal and instrument recording to voice overs, podcasting, streaming and content creation. It features RØDE's HF6 1-inch true condenser capsule, which delivers rich bass, detailed midrange and sparkling top end, with a smooth frequency response and tight cardioid polar pattern. Extremely low noise of just 4dB ensures every recording is incredibly clean and high SPL handling capabilities mean the NT1 Signature Series excels at recording even the loudest sounds, making it a true studio workhorse. The NT1 Signature Series comes with a studio-grade shock mount, pop filter and XLR cable, and is made from premium components in RØDE's precision facilities in Sydney, Australia.

- Large-diaphragm cardioid condenser microphone
- HF6 1-inch true condenser capsule
- Smooth frequency response, high sensitivity and high SPL handling
- Extremely low noise (4dBA) – the world's quietest studio condenser microphone
- Available in six colours to suit any aesthetic – black, red, green, purple, pink and blue
- Highly durable finish – extremely resistant to scuffs and scratches
- Studio-grade shock mount and pop filter and XLR cable included
- Designed and made in RØDE's precision manufacturing facilities in Sydney, Australia



HF6 1" CONDENSER CAPSULE



XLR CABLE INCLUDED



10 YEAR WARRANTY



SHOCK MOUNT & DETACHABLE POP FILTER



## ACOUSTIC & ELECTRICAL SPECIFICATIONS

Acoustic Principle:	Pressure gradient
Active Electronics:	JFET impedance converter with bipolar output buffer
Capsule:	1.00"
Polar Pattern:	Cardioid
Address Type:	Side
Frequency Range:	20Hz - 20kHz
Output Impedance:	100Ω
Maximum SPL:	142 dB SPL
Equivalent Noise (A-Weighted):	4dBA
Sensitivity:	-32 dB re 1 Volt/Pascal (25 mV @ 94 dB SPL) +/- 2 dB @ 1 kHz
Analogue Power Requirements:	P48
Analogue Output Connection:	3-pin XLR

## MECHANICAL SPECIFICATIONS

Weight (grams):	313
Dimensions (millimetres):	Length: 52
	Width: 52
	Height: 189

## WHAT'S IN THE BOX



NT1 Signature Series Microphone

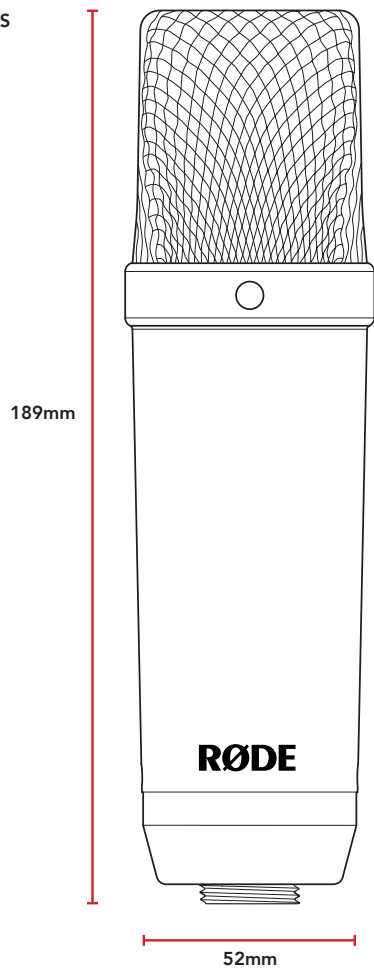


SM6

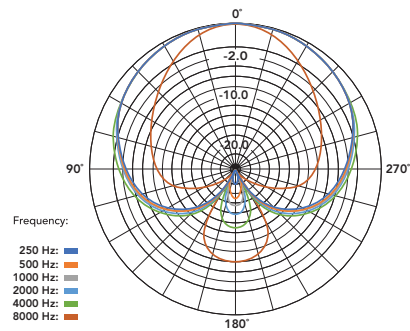


XLR Cable

## DIMENSIONS



## POLAR PATTERN



## FREQUENCY RESPONSE

